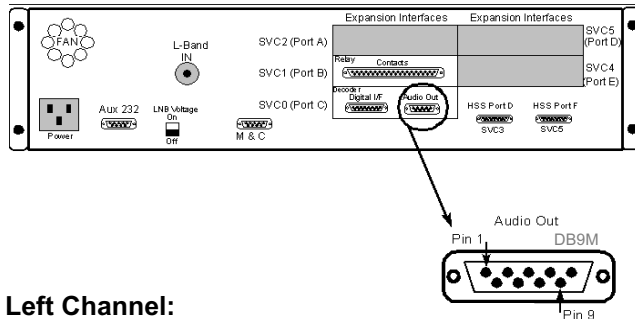




Legacy System StarGuide wiring (for reference purposes) CBS Radio Network

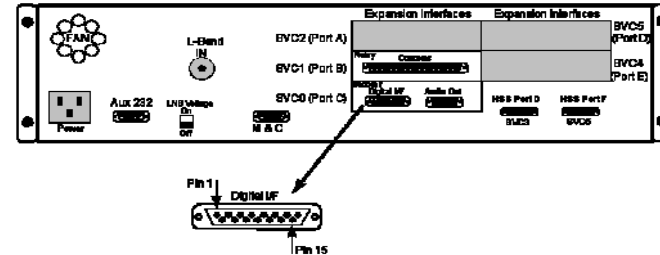


Left Channel:

Pin 1 (+)
Pin 6 (-)
Pin 2 Ground } Audio for Ch 42 or 09-0

Right Channel:

Pin 5 (+)
Pin 9 (-)
Pin 4 Ground } Audio for Ch 44 or 09-1



PIN 2 Relay 1 NO	} Start	Ch 36/39
PIN 10 Relay 1 Comon		
PIN 3 Relay 2 NO	} Cutaway	Ch 36/39
PIN 11 Relay 2 Com		
PIN 4 Relay 3 NO	} End	Ch 36/39
PIN 12 Relay 3 Com		
PIN 5 Relay 4 NO		
PIN 13 Relay 4 Com		
PIN 9 RS232 Transmit		
PIN 1 RS232 Receive		
PIN 6 RS232 Ground		

Using CBS 36/39 as an example:

The Left audio channel (Ch 36) would provide the audio content of that program.
Relay 1 (Start) Relay 2 (Cutaway) Relay 3 (End) would be associated with that program.

The Right audio channel (Ch 39) would provide the audio content of that program.
No relays are associated with the right channel on CBS.

* With the New MAX receiver, we'll no longer be splitting programs into left and right channels like above and the relays will be the same all the time. You'll always get the same program from both left and right, or stereo if the program is transmitted that way. See the new MAX wiring diagram for details.